
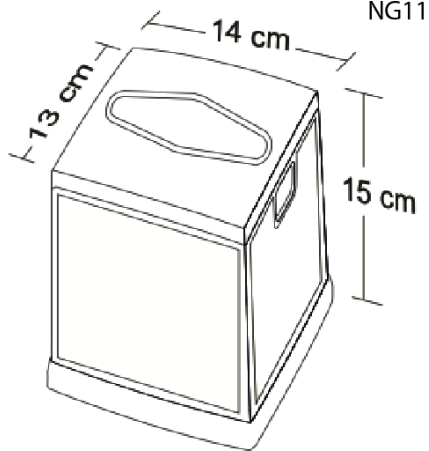
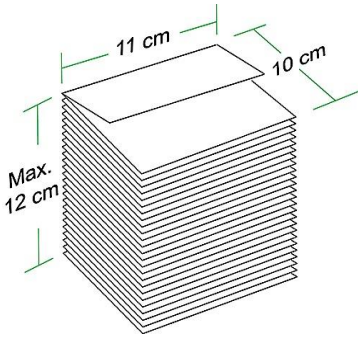
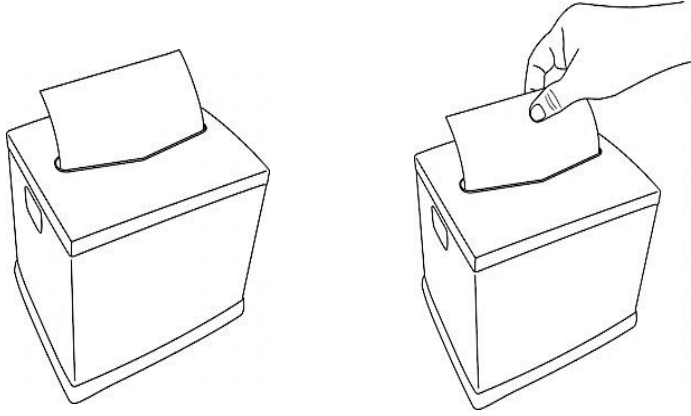


## TECHNICAL SPECIFICATIONS

APPEARANCE OF THE PRODUCT	
PHOTO	SCHEMA
	
USING OF PRODUCT	
	
DESCRIPTIONS	
Description of Product	Napkin Dispenser
Product Code	NG11 / NG11B
Color	White / Black
Material	ABS Plastic
Dimensions ( Height x Width x Depth in cm)	15 x 13 x 14 cm
PROPER NAPKIN SPECIFICATIONS	
Suitable Tissue Type	Paper Napkin
Suitable Tissue Sizes after fold (H x D x W)	12 x 11 x max 10 cm
MANUFACTURER INFORMATION	
Manufacturer	Oguzhan Plasctics and Moulding Co. Ltd.
Origin	Made in Turkey

Last Update: 25.02.2020